

*Installation Manual for*  
**Monarch** SCREEN

RETRACTABLE™

*For Inswing and Outswing Doors*

*Durable. Reliable. Attractive.*  
*For door openings up to 36" (914 mm) wide*  
*and 80 9/16" (2,047 mm) high*

**Quick** and  
**Easy to Size**  
and **Install**



# ***Congratulations and thank you for purchasing a S.D.S. product!***

The Monarch Screen is designed and manufactured by Seiki Screen Systems, one of Japan's largest and most respected manufacturers. Thanks to rigorous design and product testing, the Monarch Screen will provide years of dependable operation. Plus, it comes with factory-supplied limited lifetime warranty on all parts against manufacturer's defects.

The Monarch Screen was designed for easy sizing and installation. This Installation Manual provides a step by step guide through the entire process. **We also recommend visiting the**

**[WWW.XXXXXXXXXXXXXXXXXXXXXX.COM](http://WWW.XXXXXXXXXXXXXXXXXXXXXX.COM)**

***Any questions? Contact  
our Help Line, Toll Free  
at X-XXX-XXX-XXXX.***



# Index

<i>Getting to know the Monarch Screen .....</i>	<i>4, 5</i>
<i>Parts and Tool List .....</i>	<i>6</i>
<i>Measuring the Door Opening .....</i>	<i>7</i>
<i>Sizing the Monarch Screen .....</i>	<i>8</i>
<i>Cutting the Top and Bottom Rails .....</i>	<i>9</i>
<i>Cutting the Screen Housing Assembly .....</i>	<i>10</i>
<i>Installing the Bottom Rail .....</i>	<i>11</i>
<i>Preparing the Screen Housing Assembly .....</i>	<i>12</i>
<i>Installing the Screen Housing Assembly .....</i>	<i>13</i>
<i>Installing the Top Rail .....</i>	<i>14</i>
<i>Installing the Catch Frame and adjusting the Latch .....</i>	<i>15</i>
<i>Adjusting the Tension Wires .....</i>	<i>16</i>
<i>Attaching the Fixing Strips .....</i>	<i>17</i>
<i>Service and Maintenance Hints .....</i>	<i>18</i>

For installation on double hinged doors (French Doors), two Monarch Screens and one Double Door Link Kit will be required. Please refer to the Installation Manual within the "Double Door Link Kit" prior to installation.

The Monarch Screen and Double Door Link Kit is not intended for installation on a Sliding Patio Door.

# Getting to Know the *Monarch Screen*

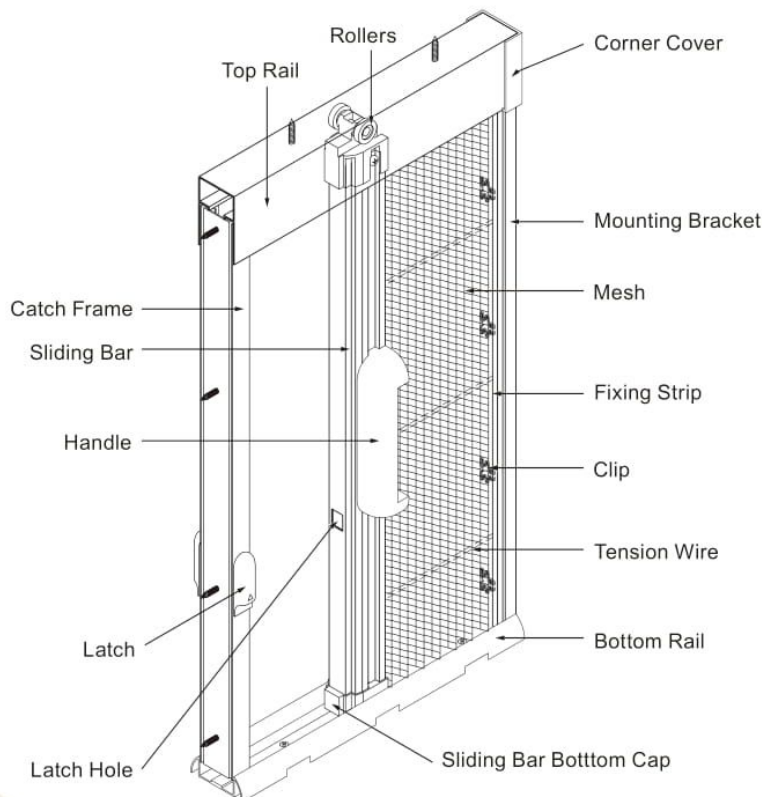
**Become familiar with the Monarch Screen and the door on which it will be installed.**

The Monarch Screen accommodates both in-swing and out-swing doors. In-swing doors open to the inside of the home and require the Monarch Screen to be installed on the outside of the home. Out-swing doors open to the outside of the home and require the Monarch Screen to be installed on the inside of the home.

## Does the Monarch Screen fit the Door Opening?

Next, make sure that the Monarch Screen will fit the door. This application will accommodate an opening of up to 36" (914 mm) wide, and between 76 9/16" (1,947 mm) and 80 9/16" (2,047 mm) high. If the door opening is larger than this, the Monarch Screen can still be installed by attaching a filler strip under the door frame to reduce the height of the door opening. Refer to Page 6 for details.

**Note:** The Monarch Screen can only be shortened by 4" (100 mm) to a minimum height of 76 9/16" (1,947 mm). If the door opening is smaller than this, the Monarch Screen will not accommodate the door.



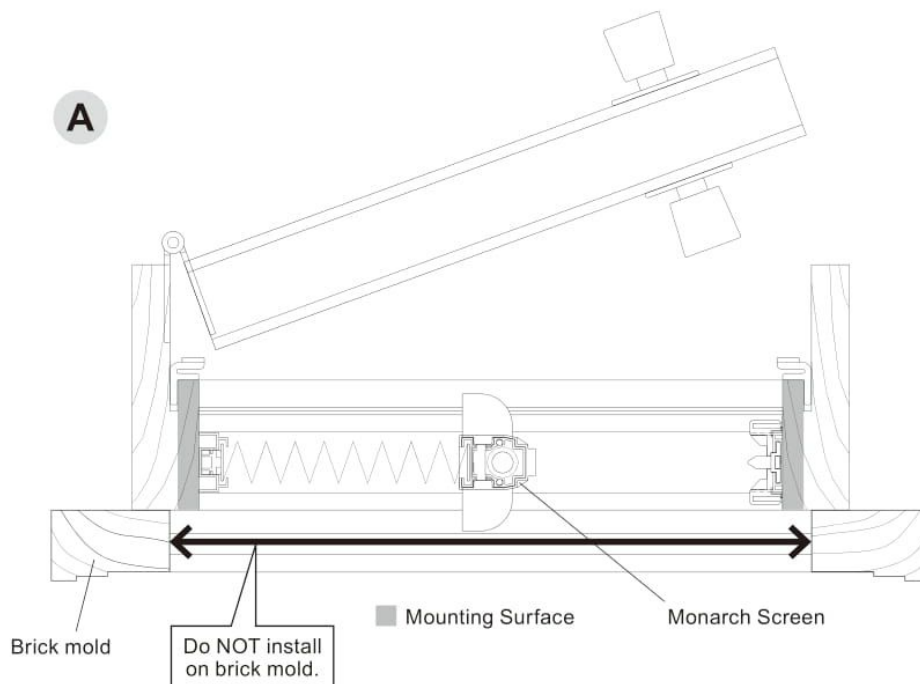
# Getting to Know the *Monarch Screen*

## Is the Door Opening Square?

For the Monarch Screen to operate effectively, the door opening must be perfectly square. Using a Carpenter Square, check to ensure that the door frame is square. If not, use shims to bring the door frame to square before beginning installation.

## Is there enough Mounting Surface?

The Monarch Screen is a recess mount screen that installs on the inside surface of the door frame. A minimum Mounting Surface of 1 3/4" (45 mm) is required. This mounting surface must be flat and flush, and at a right angle (90°) to the door.



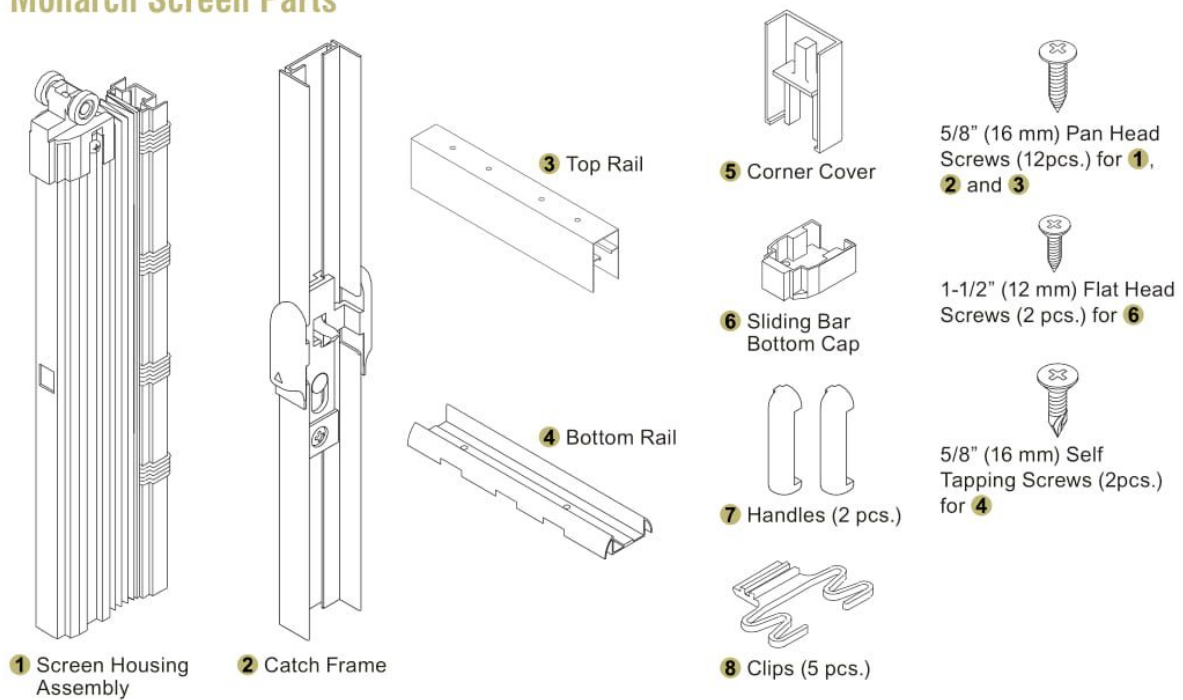
# Parts and Tool List

Before beginning, make sure that all these parts are included in the Monarch Screen package.

For a double door application, two Monarch Screens, plus the Double Door Link Kit are required.

**NOTE:** parts numbers in ● are correspond to them in the explanations on each step.

## Monarch Screen Parts



## Required tools



Monarch Screen can be sized and installed using common household tools. Make sure all necessary tools are available before beginning.

**NOTE:** A chop saw can be used in place of a hacksaw provided that a bi-metal blade has been properly installed.

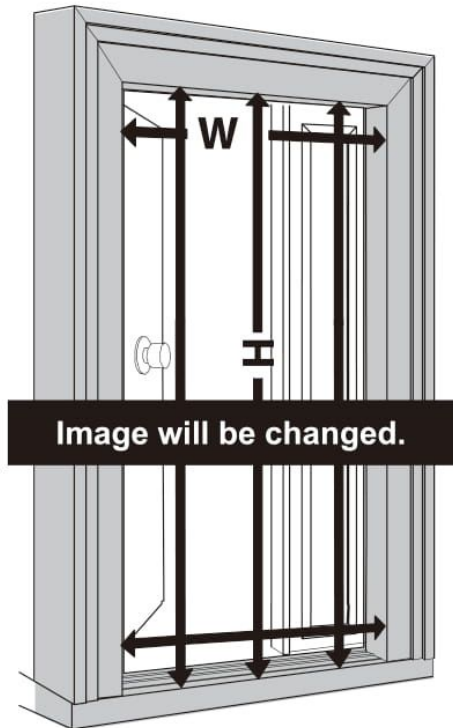
# Measuring the *Door Opening*

Now it's time to measure the opening to see if Monarch Screen must be cut to fit.

**For the width,** measure the dimension between the right and left door frame at both the top and bottom of the doorway, as indicated in the diagram. Record the smallest of the two sizes in the box labeled "Width" below.

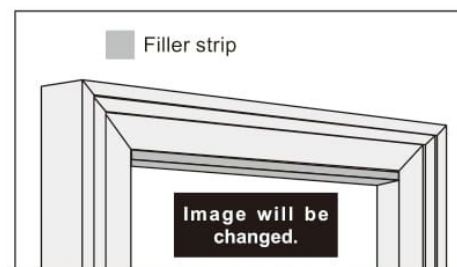
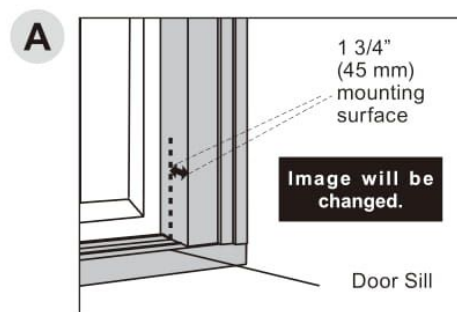
**For the height,** measure the dimension between the top door frame (or filler strip if one was added) and the door sill at the point where the Monarch Screen will be installed.

Seiki recommends installing the Bottom Rails **4** of the Monarch Screen flush with the door frame. To accommodate this positioning measure from the top of the door frame to the door sill at a point 1 3/4" (45 mm) back from the outside edge of the door frame. **(A)** Measure in three locations and record the smallest dimension in the box labeled "Height" below.



Width	Height

**NOTE:** If the height of the door opening is greater than the maximum height requirement, it is still possible to install the Monarch Screen. Simply attach a filler strip under the top door frame that will reduce the height of the door opening to at least 80 9/16" (2,047 mm). All measurements must be made after the filler strip has been installed.



# Sizing the *Monarch Screen*

The Monarch Screen is designed to accommodate door openings up to 36" (914 mm) wide and 80 9/16" (2,047 mm) high. If the door opening is smaller than this, the Monarch Screens must be cut.

## *Determining Length to be Cut from Top Rail 3 and Bottom Rail 4*

To determine the length to be cut from 3 and 4, use the following formula:

	(Measured Width)		[Length to be cut off]
36" (914 mm)	– [	]	= <input type="text"/>

## *Determining Length to be Cut from Screen Housing Assembly 1 and Catch Frame 2*

To determine the length to be cut from 1 and 2, use the following formula:

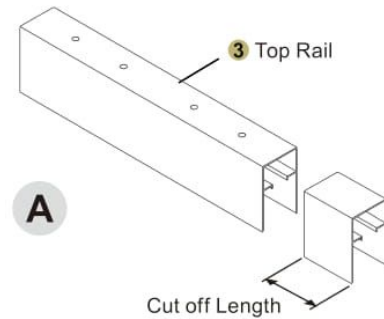
	(Measured Height)		[Length to be cut off]
80 9/16" (2,047 mm)	– [	]	= <input type="text"/>



# Cutting the *Top and Bottom Rail*

## Cutting the Top Rail 3

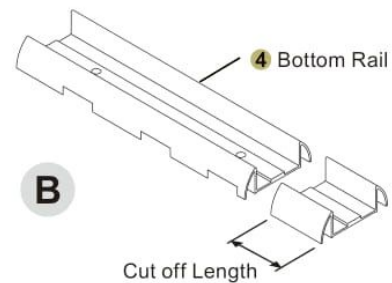
1. Using the "Length to be cut" dimension for 3 calculated on Page 8, carefully measure and mark 3 on all sides to ensure an even cut. 3 can be cut on either side.
2. Wearing safety glasses, cut straight through 3 using either a chop saw or a hacksaw with a bi-metal blade. (A)



## Cutting the Bottom Rail 4

Cutting 4 of Monarch Screen is just as easy.

1. Using the "Length to be cut" dimension for 4 calculated on Page 8, measure and mark 4 on all slides. 4 can be cut on either side.
2. Cut straight through 4. (B)



# Cutting the *Screen Housing Assembly* and *Catch Frame*

## Cutting the Screen Housing Assembly 1

All cutting will be done on the lower end of 1, clear of the Tension Wires. 1 is clearly marked with **CUT** and **NO CUT** zones.

**NOTE:** No more than 4" (100 mm) can be cut from 1.

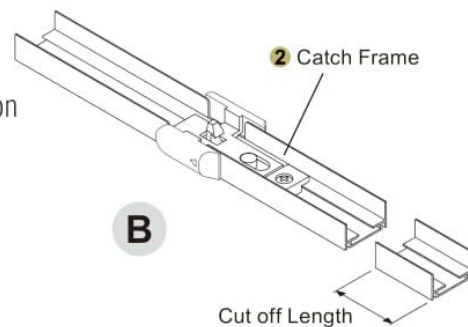
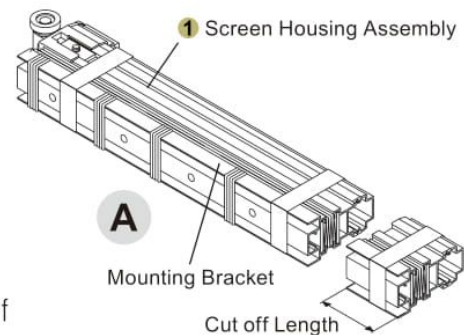
1. Do **NOT** remove the tape that keeps the all elements of 1 (Mounting Bracket, Mesh and Sliding Bar) secure.
2. Carefully measure and mark 1 on all sides based on the "Length to be cut" dimension for 1 calculated on Page 8.
3. Wearing safety glasses, cut straight through all elements of 1. (A)
4. After the cutting is complete, remove the tape that holds 1 together and uncoil the wires on the Mounting Bracket.

**NOTE:** After cutting any component of the Monarch Screen, make sure to use a file to remove all burrs.

## Cutting the Catch Frame 2

Cutting will be done on the lower end of 2, note **Cut/ No Cut** labels.

1. Using the "Length to be cut" dimension for 2 calculated on Page 8, carefully measure and mark 2 on all sides.
2. Cut straight through 2. (B)



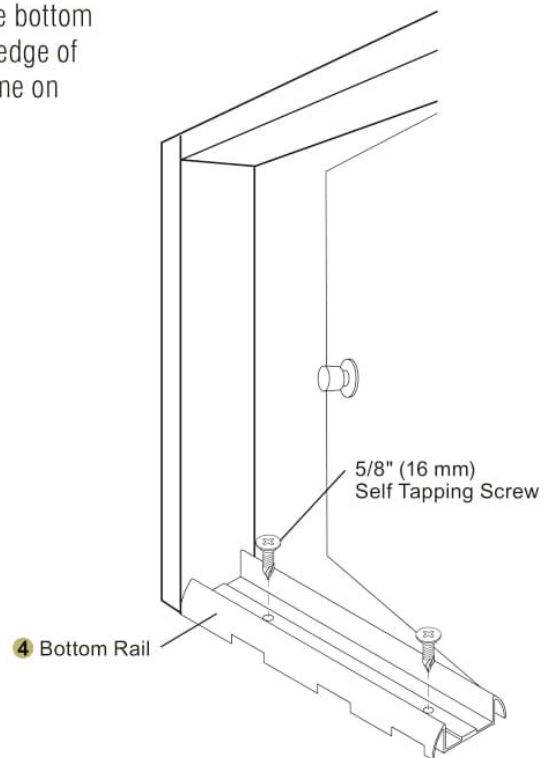
# Installing the *Bottom Rail*

## Installing the Bottom Rail 4

**NOTE:** The position of 4 will determine where on the door frame the Monarch Screen Housing will be mounted. The Mounting Bracket of the Monarch Screen will be inserted into the Bottom Rail track before being secured to the door frame.

Seiki recommends positioning the outside edge of 4 flush with the door frame. This will result in the Monarch Screen Housing being mounted slightly inset from the outside of the door frame.

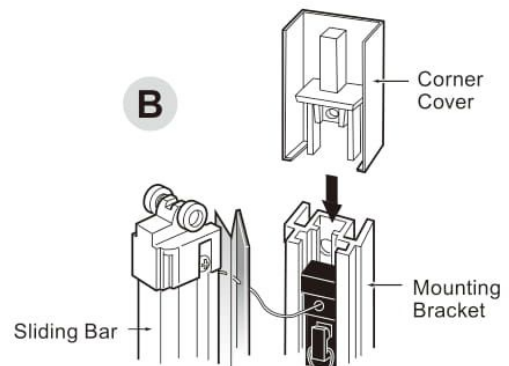
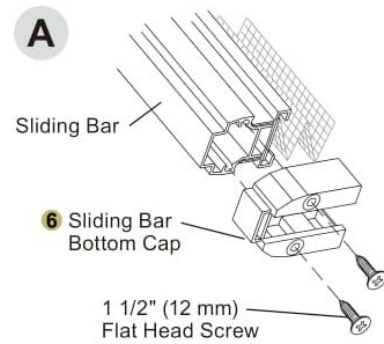
1. Remove the backing from the adhesive strip on the bottom of 4. Attach 4 on the door sill, placing the front edge of 4 even with the face of front edge of the door frame on both sides of the opening.
2. Fix 4 by Self Tapping Screws provided.



# Preparing the *Screen Housing Assembly*

## Attaching the Sliding Bar Bottom Cap **6** and Corner Cover **5**

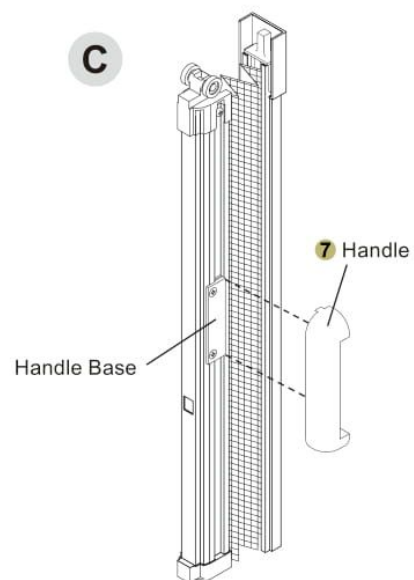
1. Attach **6** to the bottom of the Sliding Bar of **1** using the two screws provided. **(A)**
2. Insert **5** onto the top of the Mounting Bracket of Screen Housing Assembly **1**. **(B)**



## Attaching the Handles **7**

Now it's time to attach **7** onto the Sliding Bar of **1**.

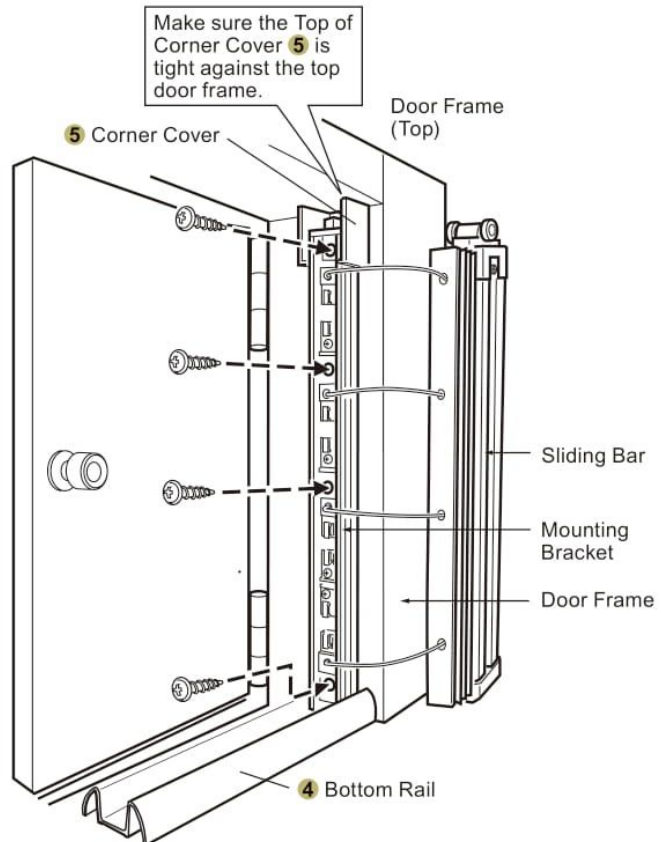
1. Locate the Handle Base on the middle of the Sliding Bar.
2. Attach **7** onto the Handle Base by clicking-in. **(C)**
3. The same procedures will be followed on the other Handle Base.



# Installing the *Screen Housing Assembly*

## Installing the Screen Housing Assembly 1

1. Remove the backing of the adhesive strip on the back of the Mounting Bracket.
2. Insert the bottom of the Mounting Bracket into the track of the Bottom Rail 4.
3. Push the Mounting Bracket upwards, ensuring that the top of the Corner Cover 5 is tight against the upper portion of the door frame.
4. Using a level, ensure that the Mounting Bracket is positioned plumb. Then press the Mounting Bracket firmly against the door frame, allowing the adhesive tape to temporarily hold it in place.
5. Move the Sliding Bar and Mesh off to the side as indicated in the illustration.
6. Using the provided screws, secure the Mounting Bracket to the door frame.
7. Finally, return the Sliding Bar and Mesh back to its original position, in front of the Mounting Bracket.

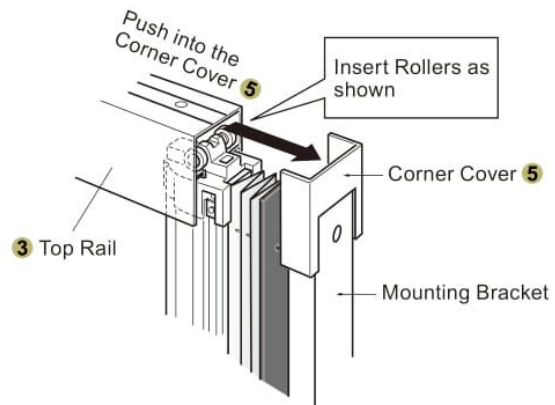


# Installing the *Top Rail*

Insert Rollers  
as shown

## Installing the Top Rail **3**

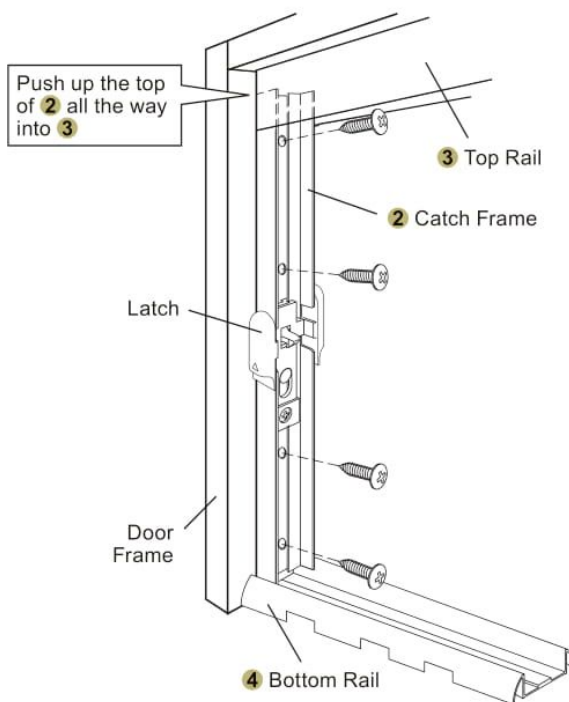
1. Remove the backing of the adhesive strip on the top of **3**
2. Insert the Rollers at the top of the Sliding Bar into **3**, then push **3** into the Corner Cover **5** on the top of the Mounting Bracket.
3. Position **3** along the top of the door frame at a 90° angle to the side mounting surfaces.
4. Make sure that **3** is tight against the side of the door frame opposite the Mounting Bracket, press firmly in place, allowing the adhesive tape to temporarily hold it in place.
5. Using the 5/8" (16 mm) screws provided, secure **3** to the door frame.



# Installing the *Catch Frame* and adjusting the Latch

## Installing the Catch Frame 2

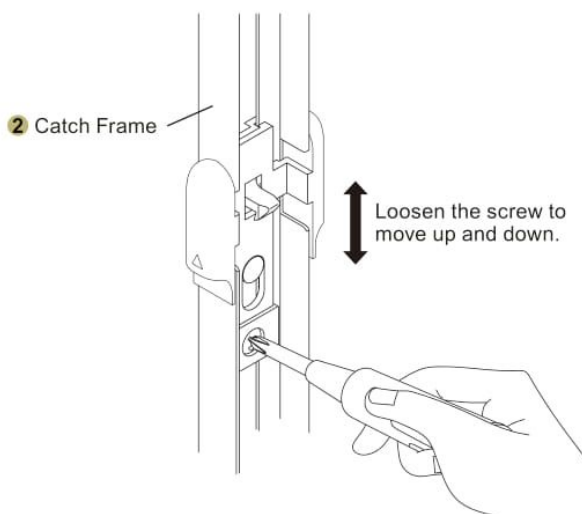
1. Insert bottom of **2** inside the Bottom Rail **4** and top of **2** into the Top Rail **3**, and position against the door frame on the opposite side of the Screen Housing Assembly **1**.
2. Lift **2** upward into **3** as far as it will go, and secure to the door frame using the provided wood screws.



## Adjusting the Latch

Pull Sliding Bar over to **2** and verify that the Latch can be engaged, if the Latch cannot be engaged, adjust it by following procedure shown in the diagram.

Loosen the screw, adjust the height of the Latch until it engages with the Sliding Bar. Tighten the screw, careful not to over tighten.



# Adjusting the *Tension Wires*

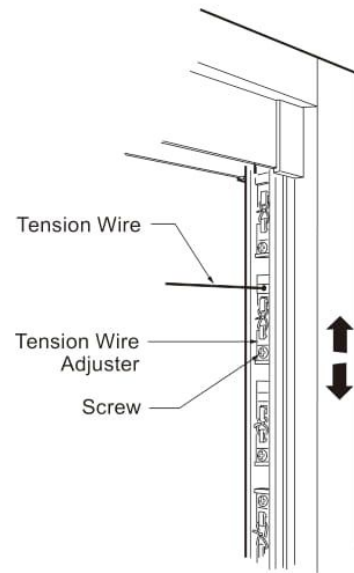
**For the Monarch Screen to operate smoothly, all Tension Wires should be taught and perfectly horizontal. If any of the Tension Wires are sagging, they must be adjusted.**

1. Move the Sliding Bar towards the Catch Bar ② until screen engages with the Latch.
2. Beginning with the uppermost Tension Wire, loosen the screw on the Tension Wire Adjuster and move it to tighten or loosen.

**NOTE:** For best results, Tension Wires should be tightened only to the point where they are perfectly horizontal. Do **NOT** over tighten.

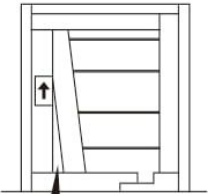
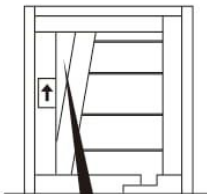
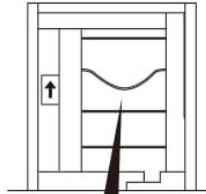
3. Once the desired tension has been achieved, simply tighten the screw to set.
4. Follow the same procedures for any other Tension Wires that need adjustment.
5. Perform the same operations on the left screen.

**NOTE:** Do **NOT** loosen all Tension Wire Adjusters at the same time.



## Further Adjustments

After adjusting the Tension Wires, move the Sliding Bar back and forth to check the operation of the Monarch Screen. If any of the following circumstances are observed, make the appropriate adjustments.

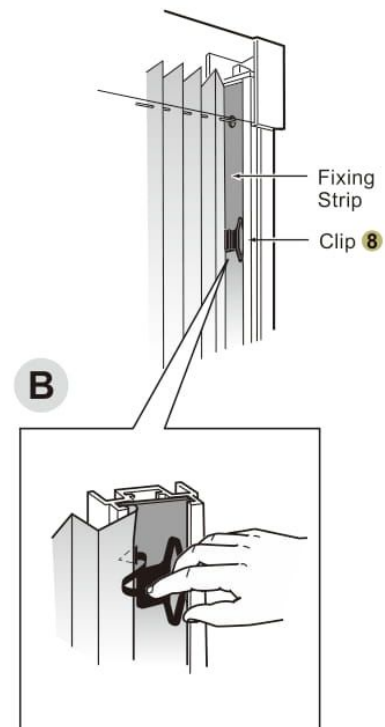
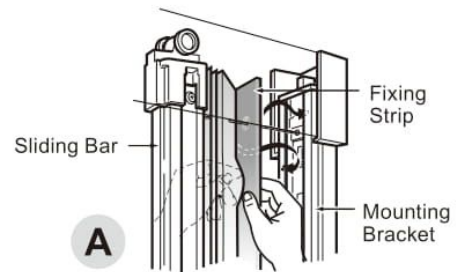
Situation #1	Situation #2	Situation #3
		
<b>Gap</b>	<b>Gap</b>	<b>Loose Tension Wire</b>
Solution #1	Solution #2	Solution #3
Keep the topmost Tension Wire Adjuster fixed, loosen the remaining Adjusters. Starting from the bottom Adjuster, adjust the tension of each wire to remove the gap as well as any sag in the Tension Wires.	To correct this situation, reverse the steps in Situation #1 starting from the top Adjuster.	Tighten the tension of the loose Tension Wire to the same tension as the other Tension Wires.



# Attaching the *Fixing Strips*

Now it's time to attach the Fixing Strips to the Mounting Brackets. The diagrams illustrate the procedure for attaching the Fixing Strip to the Mounting Bracket on the right side of the door opening. The same procedures will be followed for the left side.

1. Locate the Fixing Strip on the Screen Housing Assembly **1**.
2. Insert the outside edge of the Fixing Strip into the recess inside the Mounting Bracket on the side furthest from the door. **(A)**
3. Using a small amount of pressure, push the other end of the Fixing Strip into the recess on the other side of the Mounting Bracket.
4. Insert the Clips **8** that will secure the Fixing Strip to the Mounting Bracket. **(B)** **8** should be positioned evenly between each of Tension Wires.



*The Monarch Screen  
Installation is Now Complete!*

## Service and Maintenance *Hints*

**The Monarch Screen is designed and engineered to be maintenance free. The following are some helpful hints to ensure the smooth operation of Monarch Screen for years to come.**

- All moving components used in the Monarch Screen are manufactured from a mixture of nylon and other materials. This combination of compounds is strong, impact resistant, and self-lubricating. Do not use oil, grease, petroleum or oil based sprays or lubricants on any of the components on the Monarch Screen. These products attract dirt and debris, and may cause the Monarch Screen to react abnormally. However, the periodic application of a dry silicon lubricant to the moving parts is permissible.
- We recommend that while not in use, the Monarch Screen be kept in the retracted position. This will help extend the life of the screen mesh. In the retracted position, the mesh is protected and kept clean.
- The Bottom Rail should be kept free of dirt and debris. Use a broom to remove any obstructions from the Bottom Rail.
- If the screen mesh becomes damaged or torn, a Replacement Mesh Cartridge can be purchased separately through your local dealer, retailer or on our web site, [www.XXXXXXXXXXXXXX.com](http://www.XXXXXXXXXXXXXX.com).

**\* Before installing the Monarch Screen, please take the time to read the installation instructions thoroughly.**

# Help *Hotline*

The Monarch Screen was designed for easy sizing and installation. This Installation Manual provides a step by step guide through the entire process.

If there are any questions during the installation of the Monarch Screen, we recommend visiting our Web site at [www.XXXXXXXXXXXXXX.com](http://www.XXXXXXXXXXXXXX.com)

*Still Have Questions?  
Call the Toll Free Do it Yourself Hotline:  
1-XXX-XXX-XXXX*



## ***Monarch Screen***

### ***Limited Lifetime / Non-transferable Manufactures Warranty***

The Monarch Screen is warranted by Seiki Screen Systems to be free of manufactures' defects in materials or workmanship, for as long as the original purchaser owns and or resides at that residence and that the product remains at its original point of installation. Seiki Screen Systems will repair or replace at its discretion any component, within the terms and conditions of this warranty, which is deemed as being defective from the manufacturing process upon proof of purchase. This warranty excludes the screen mesh. Furthermore this warranty does not cover components damaged through improper use or installation, or if components have been altered from their original state in a manner not otherwise prescribed in this manual. This warranty is strictly limited to defective components only. This non-transferable, limited warranty excludes labor, breakage or damage due to normal wear and tear, lack of maintenance, or use for other than residential applications, accidents and "acts of god". Replacements or repairs made subject to this limited warranty are otherwise warranted for the balance of the original warranty period. Seiki Screen System's liability under this limited warranty is restricted to the corrective actions as set forth herein and contrarily repudiates all incidental and consequential damage. It is the responsibility of the consumer to notify Seiki Screen systems of missing components, within 30 days of the purchase of the Monarch Screen.

The Monarch Screen is designed to assist in keeping unwanted insects from the home; it is in no way intended as a safety or security device to prevent access by individuals, animals or small children. Liability for any damages, including but not limited to general, special, indirect, incidental, consequential, aggravated, punitive or exemplary damages, and economic loss, as well as for breach of any expressed or implied warranties, including but not limited to implied warranties of merchantability, quality and fitness for any purpose other than as prescribed herein, is disavowed and omitted here from, to the extent that such a disclaimer and preclusions are permitted by the laws of any particular jurisdiction.

Maintenance: Keep Bottom rail clean and free of debris. Periodic use of silicone spray to the rollers on the top of the Sliding Bar is recommended; do not use petroleum based lubricants.

Monarch Screen

PRODUCT INFORMATION MANUAL

For warranty claims

Call 1-XXX-XXX-XXXX

Or email: XXX@XXXXXXXXXXXXX.com

For maintenance and helpful hints, please refer to [www.XXXXXXXXXXXXXX.com](http://www.XXXXXXXXXXXXXX.com)