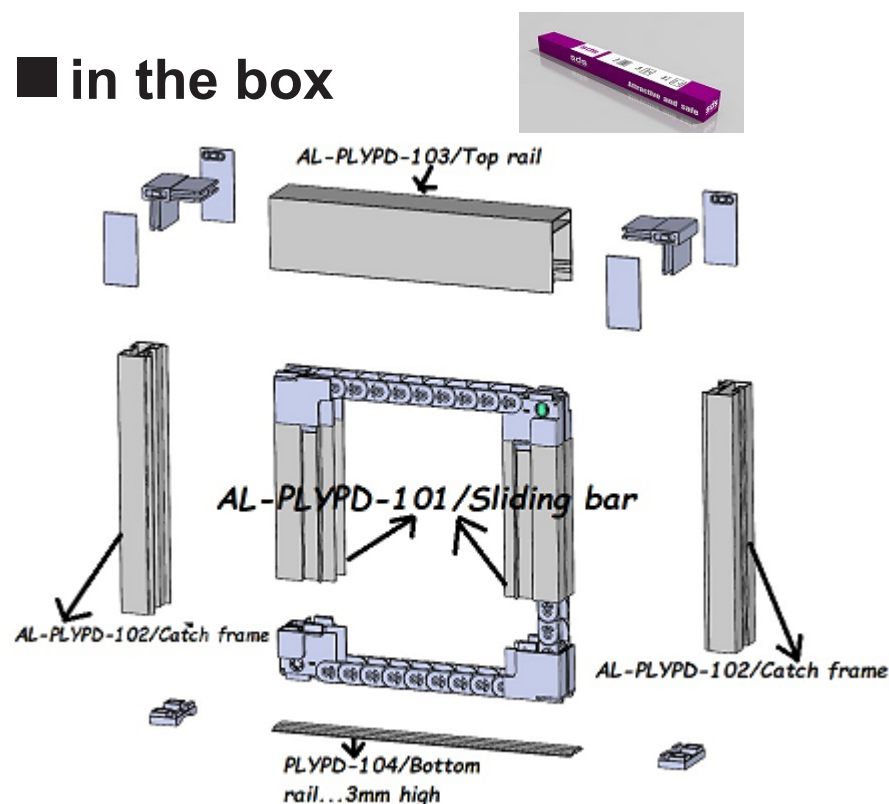


Multi Panel Retractable Plisse

Product Manual

- This screen is manufactured to a specific size, cutting will not be needed during installation.
- Please read the instructions in this manual carefully prior to installation.
- Tools required for installation; drill/screw driver, tape measure, a level and a pencil.

■ in the box



■ Parts List

<p>Screen Panel (1 pcs)</p>	<p>Catch Frame (2 pcs)</p>	<p>Top Rail (1 pcs)</p>
<p>Bottom Rail (1 pcs)</p>	<p><i>Accessories Set...1 Package</i></p>	<p>Catching frame Bottom Cover 2 Pcs</p>
<p>Wall to Wall installation spider 8 Pcs</p>	<p>Catching frame Top Corner..2Pcs</p>	<p>Catching and Top rail cover...2 pcs(L&R)</p>

Note: It is not needed and is not used in the assemblies to be made from the face to door, so it may not be in the box. (For the installation Spide)

■ Prior to Installation

Open the box and check that all parts are included.

Important Notes: Prior to installation, check the door frame or surfaces to which the screen will be installed. For trouble-free operation and longevity, the opening should be plumb and square. If this is not the case, please correct before proceeding. Please ensure all surfaces are free from dust, dirt and grease particularly the floor to which the bottom rail will be fixed. If necessary, clean with detergent or acetone.

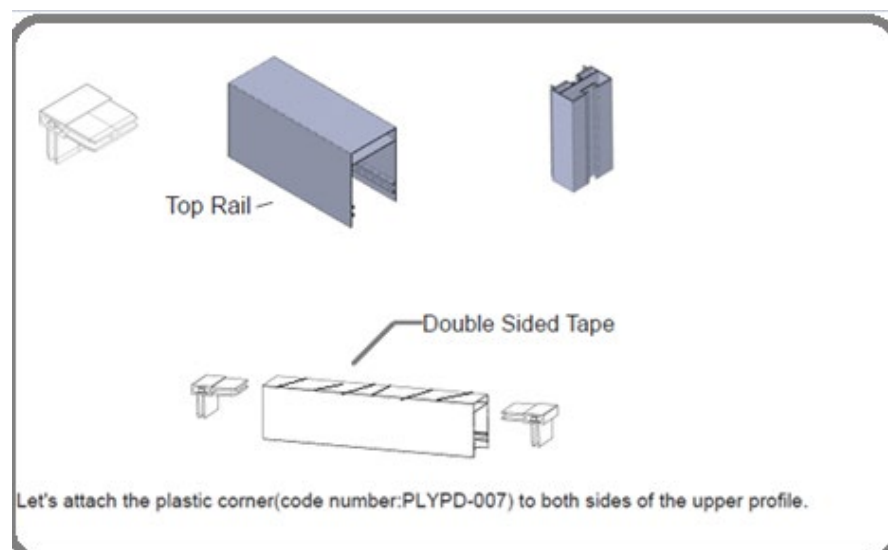
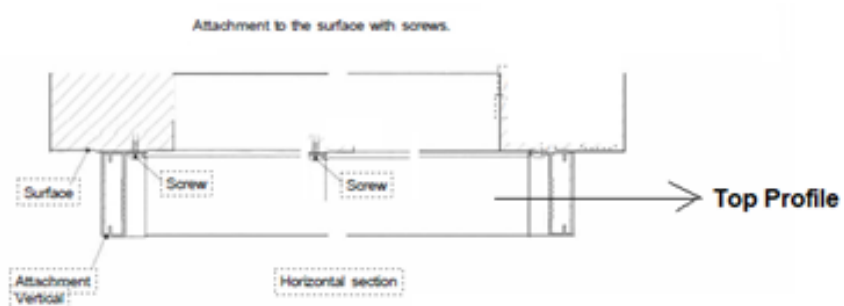
Install both Top Rail and Catching frame End Caps(code number:PLYPD-007)

Note: the installation spider is not required in cases where the assembly is being made to the face of the door, and may not be included in the box.

■ Installation Guide

1 Preparing and Installing the Top Rail

Once the location of the Screen Housing is determined, remove the backing from the double sided tape on top of the Top Rail.



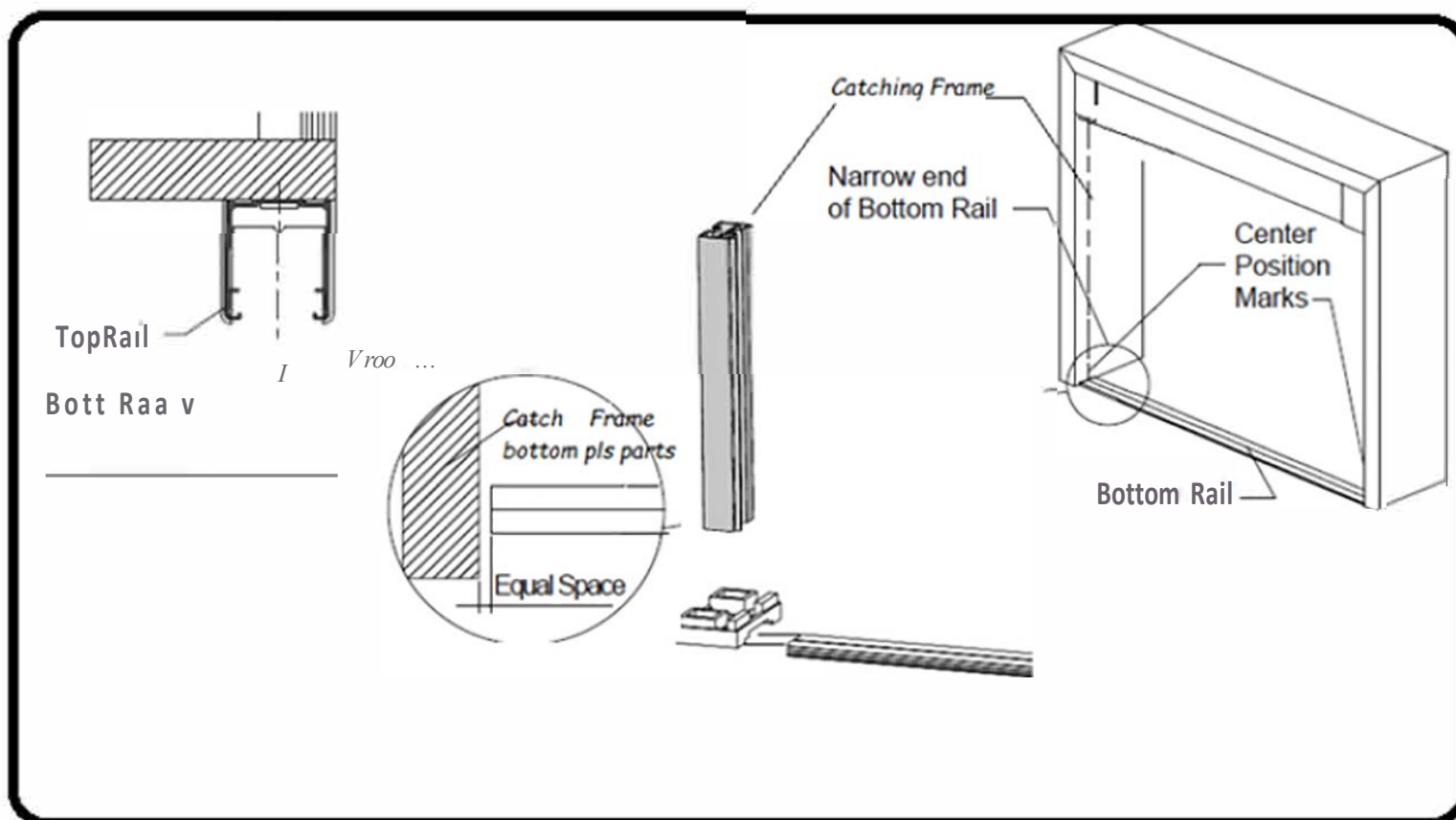
2 Installing the Bottom Rail

- 1). Clean the surface area where the Bottom Rail is to be installed.
- 2). String a plumb line (alternatively use a level) to locate the exact position of the center of the Top Rail with the corresponding location on the door sili or the floor where the Bottom Rail is to be installed, make a mark on the surface at both sides of the mounting surface.
- 3). Remove the backing of the double-sided tape on the same side as the Sliding Bar Guide of the Top Rail. Now, align the center of the Bottom Rail (V-Groove) with the marks, center the Bottom Rail in the opening and press firmly in place ensuring it is in a straight line.

...make a mark on both sides of the surface to which you are installing the screen

Caution

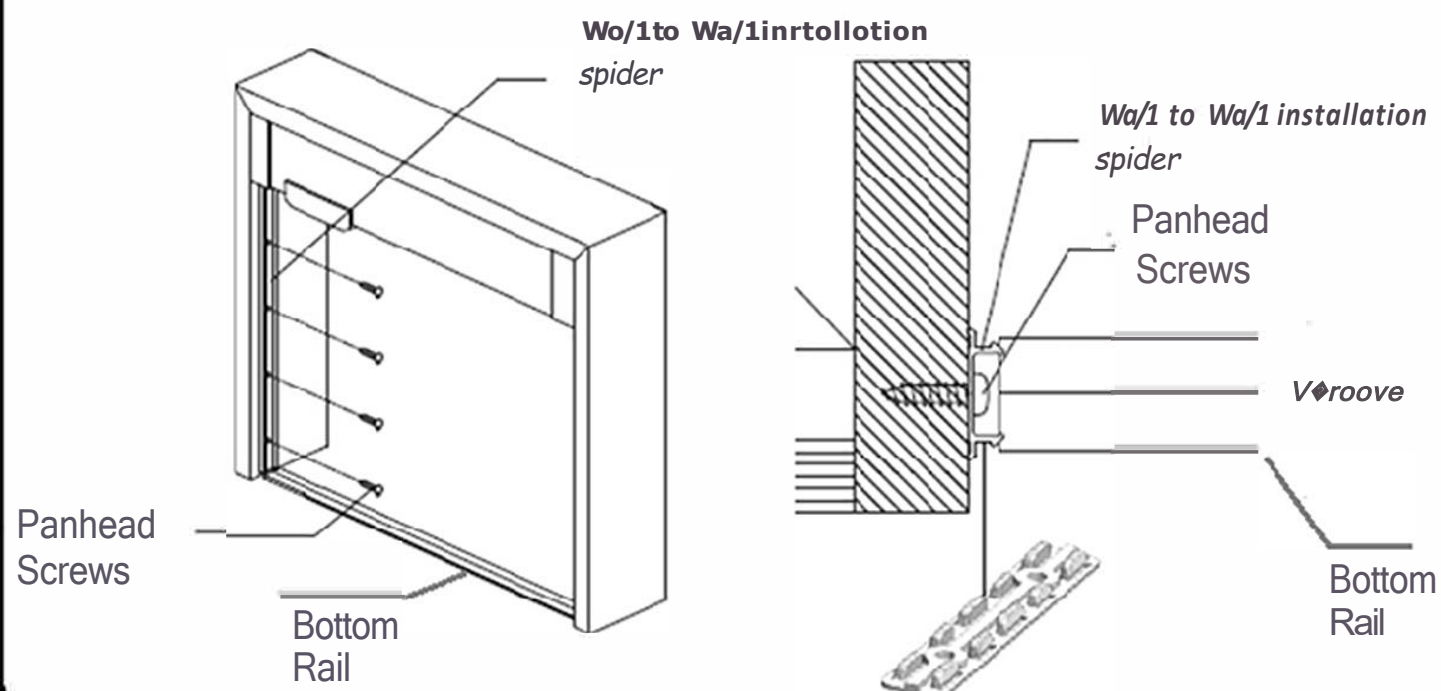
Make sure the narrow end of the Bottom Rail is placed at the same side of the opening as the Sliding Bar on the TOP Rail.



3

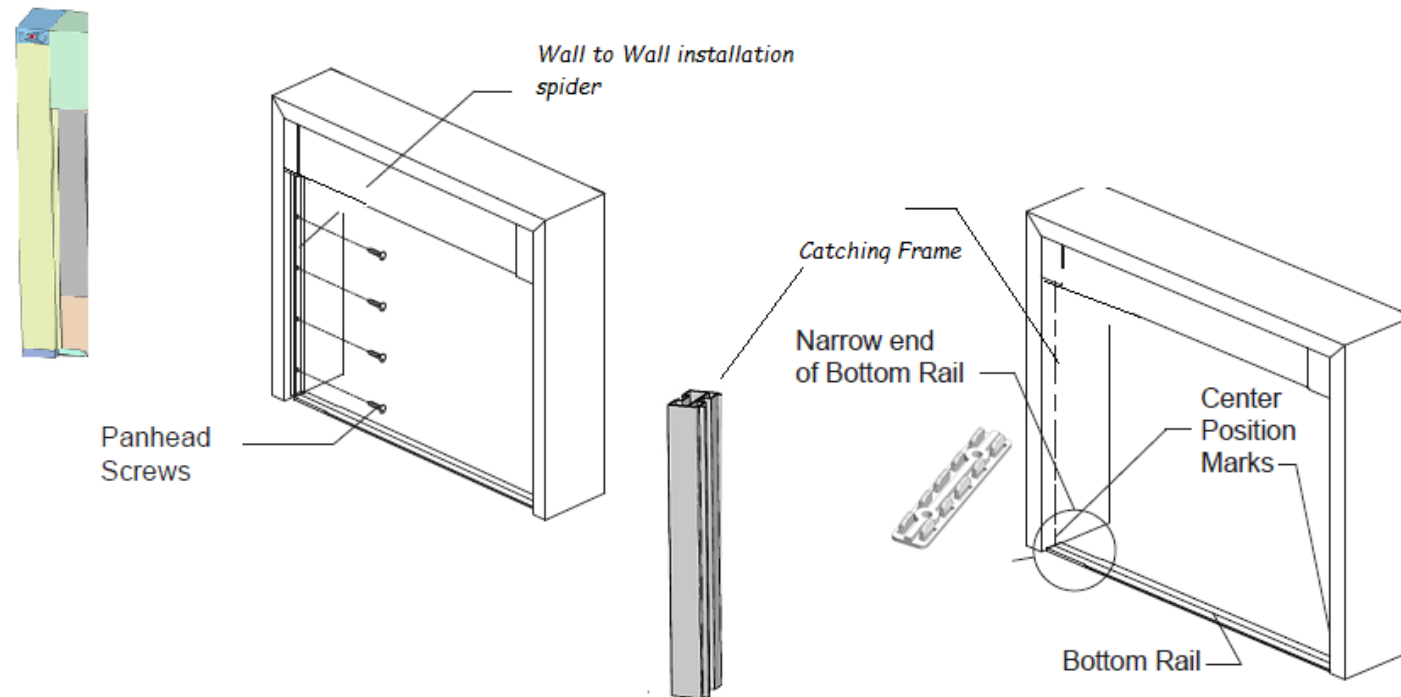
Installing Wall to Wall Mounting Spider

Align the center V-Groove of the Mounting Bracket with the center of the Top Rail and the center of the Bottom Rail respectively.



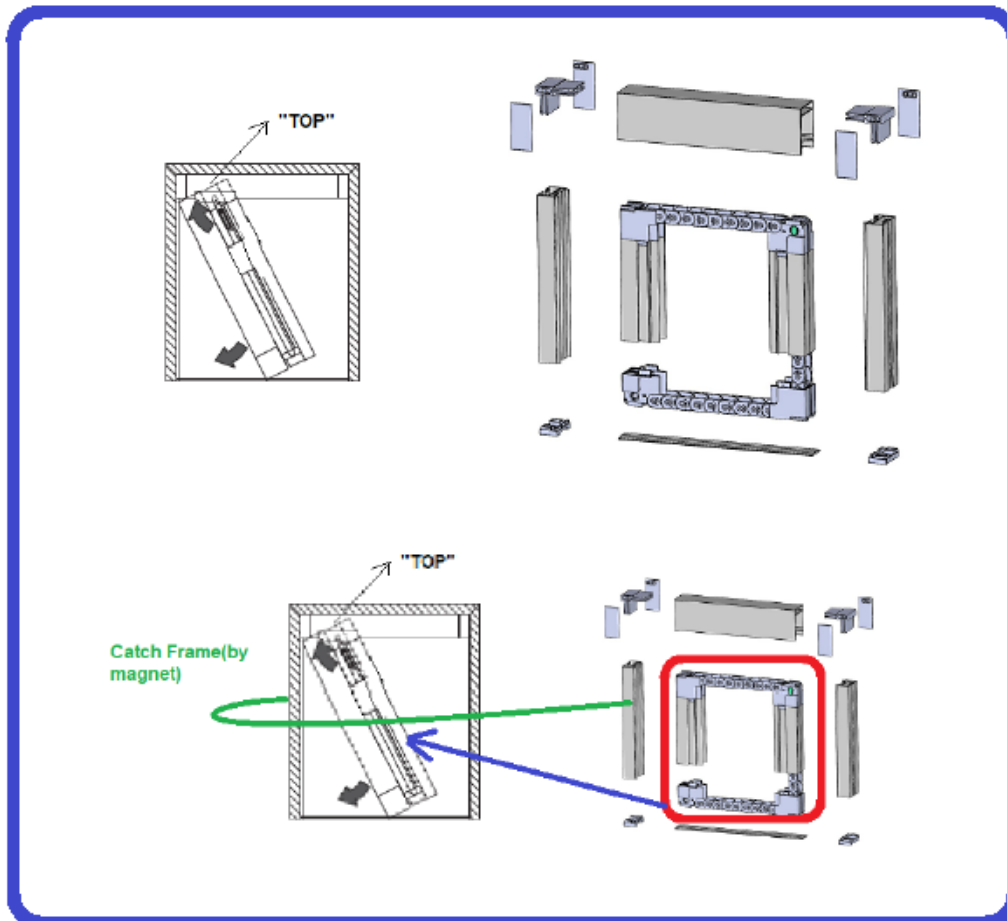
4 Installing the Catch Frame

Install the Top Rail and Catch Frame Rail corners.. Bring it into a vertical position against the Wall to Wall installation spider , and press it firmly onto the Wall to Wall installation spider to fix it in place a "clicking" sound may be heard.



Caution

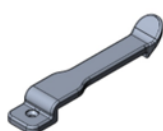
'TOP' is marked on the top end of the frame for easy orientation.



5 Locking and finishing



Lock 1. From catch frame to moving frame



Lock 2. Long. From moving frame to moving frame...For models with more than 1 panel



Attention: Locks for a single panel system can be fitted to the inward or outward facing side
Multiple panel locks should be alternated between the inward and outward facing sides